

	operation when directly connected to chimney	operation when connected accumulation mass	
Energy label	A	A	A
<b>Operating data</b>			
Nominal heat power	9 kW	----	----
Efficiency	> 80 %	----	----
Consumption of wood	2,8 kg/h	4 kg	3,1 kg
Total heat output of the burning chamber	----	16 kW	11 kW
Mass flow of flue gas	8,3 g/s	12 g/s	11 g/s
Required chimney pressure	12 Pa	12 Pa	15 Pa
Required amount of combustion air	25 m <sup>3</sup> /h	40 m <sup>3</sup> /h	30 m <sup>3</sup> /h
<b>Average flue gas temperature</b>			
on the output	297 °C	333 °C	312 °C
past 2,4 m of ceramic accumulation system KMS 300 <sup>1</sup>	----	202 °C	----
past S-accumulation rings (5x S-acc. ring Ø345mm)	----	----	209 °C
<b>Heat distribution</b>			
fireplace insert	52 %	35 %	35 %
door glass (single / double)	48 / 0 %	48 / 0 %	48 / 0 %
adjoining accumulation mass	----	17 %	17 %
<b>Information for ventilated builds</b>			
Minimal grill area supply / outgoing	700 / 850 cm <sup>2</sup>	700 / 850 cm <sup>2</sup>	700 / 850 cm <sup>2</sup>
Minimum distance from insulated areas / floor	50 / 0 mm	50 / 0 mm	
Reference insulation <sup>2</sup> ceiling / back wall / side wall / floor	120 / 70 / 0 / 0 mm	120 / 70 / 0 / 0 mm	
Calciumsilicate insulation <sup>3</sup> ceiling / back wall / side wall / floor	80 / 50 / 0 / 0 mm	80 / 50 / 0 / 0 mm	
<b>Information for non-ventilated builds (closed grills)</b>			
Minimum radiant area <sup>4</sup>	4 m <sup>2</sup>	4 m <sup>2</sup>	
Minimum distance from insulated areas / floor	50 / 20 mm	50 / 20 mm	
Reference insulation <sup>2</sup> ceiling / back wall / side wall / floor	160 / 90 / 0 / 20 mm	160 / 90 / 0 / 20 mm	
Calciumsilicate insulation <sup>3</sup> ceiling / back wall / side wall / floor	120 / 70 / 0 / 20 mm	120 / 70 / 0 / 20 mm	
<b>General technical information</b>			
Total weight / lining weight	ca. 221 / 49 kg	ca. 221 / 49 kg	
Burning chamber dimensions (width x depth)	320 x 305 mm		
Combustion air connection	Ø 150 mm		
Use in non-ventilated accumulation builds according to craft rules	suitable		
Tested according to	EN 13229		
Meets values	1. BImSchV (Stufe2), 15a BvG, NS 3059		

1 Listed value from testing. For accurate results is evaluation of each system in the Ortner / KOV program necessary.

2 Mineral wool according to AGI-Q 132

3 Example SkamoEnclosure Board 225 kg/m<sup>3</sup>

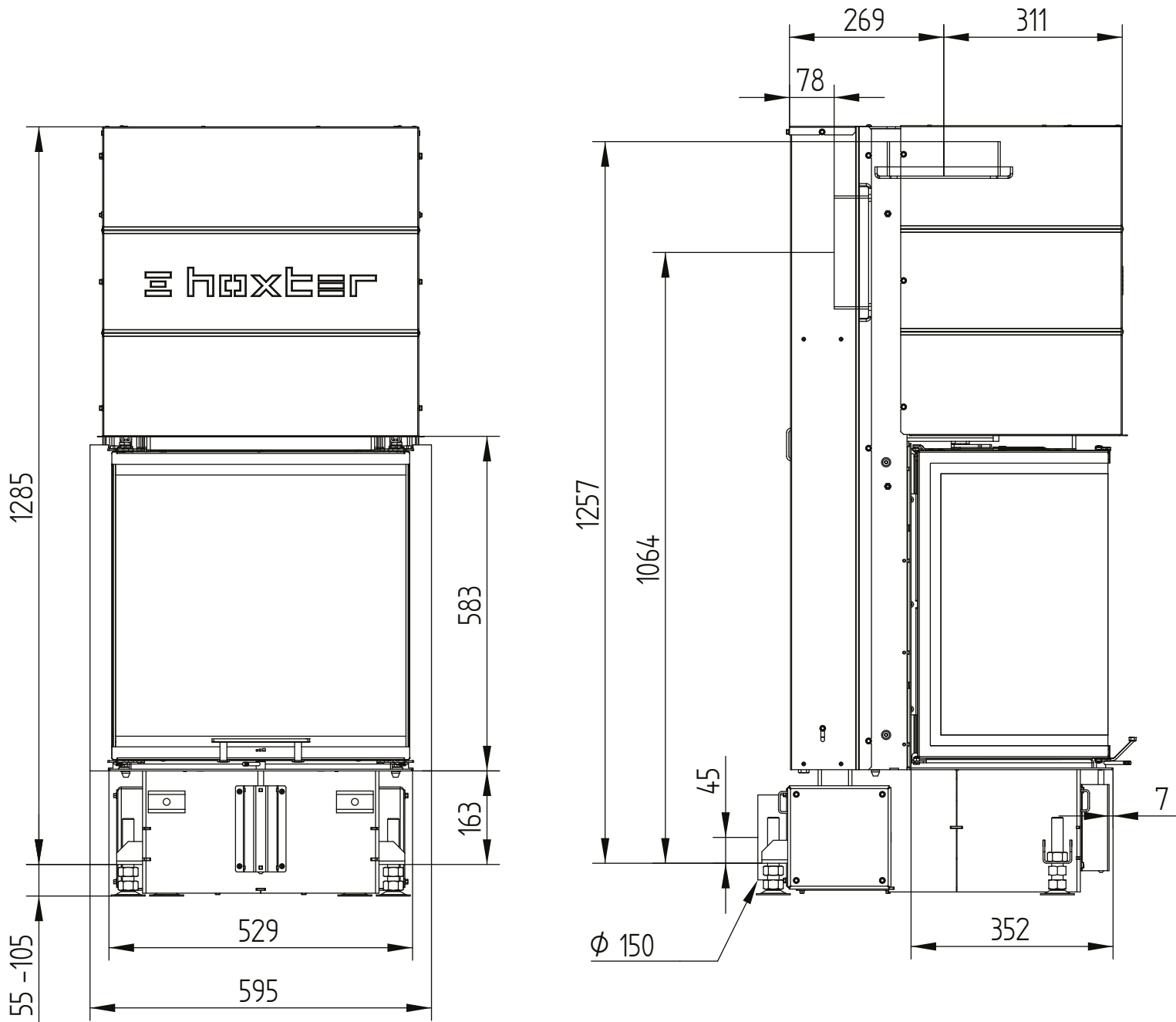
4 Depends on accumulation period and material characteristics. Listed values calculated with chamotte stone thickness 30 mm with radiant area 500 W/m<sup>2</sup>

# UKA 37/55/37/57

Technical data  
Version 2019/08

air connection / feet

M 1:10

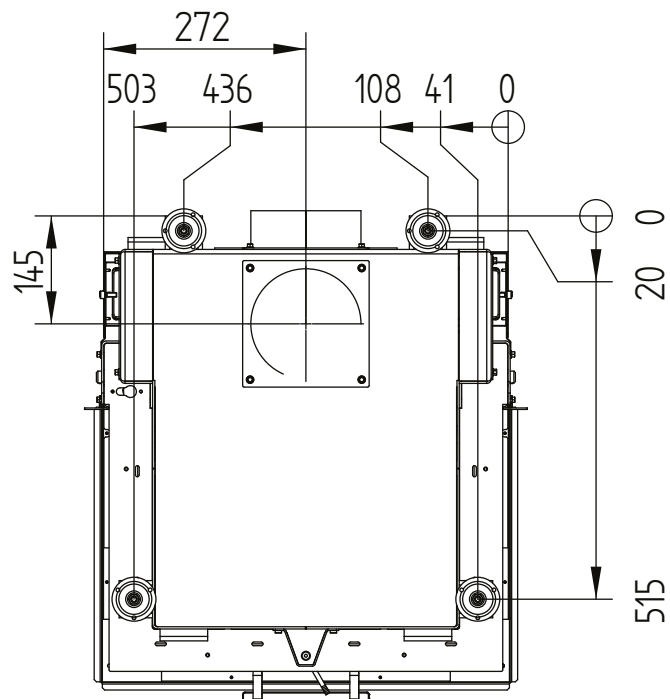
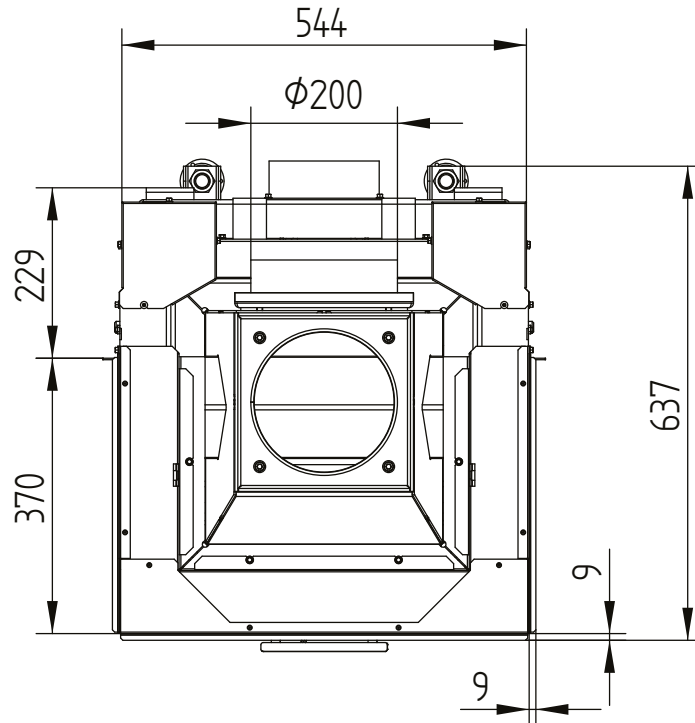


# UKA 37/55/37/57

Technical data  
Version 2019/08

air connection / feet

M 1:10

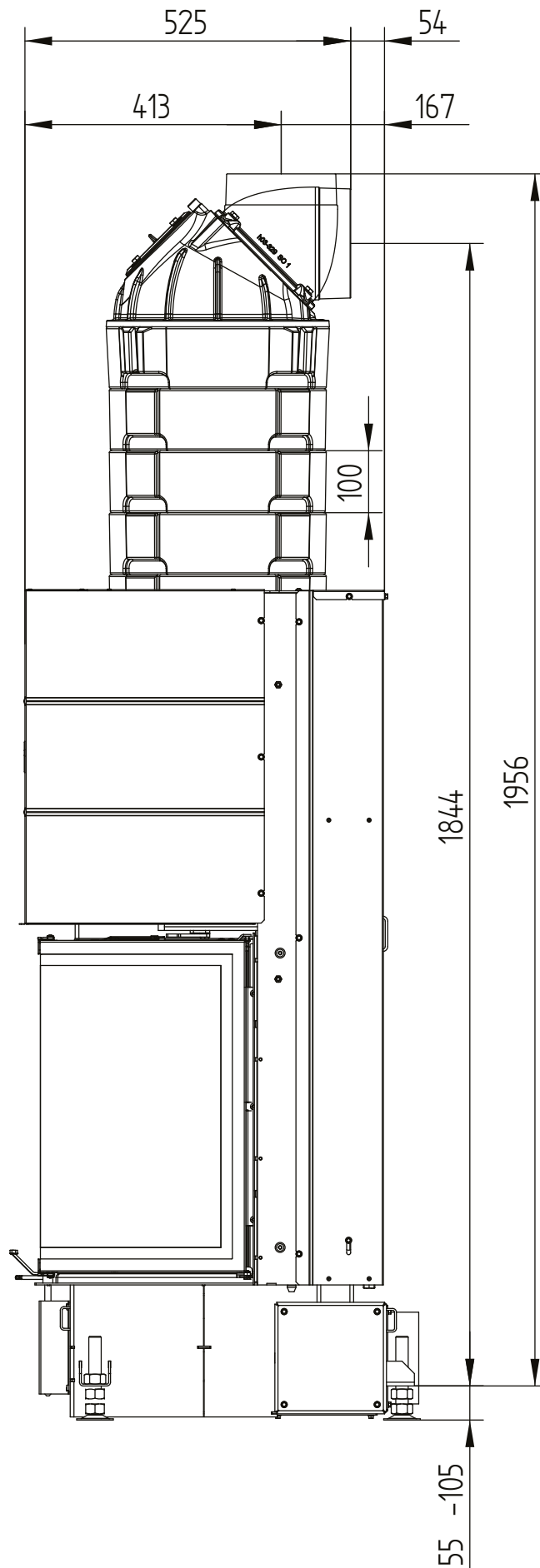


# UKA 37/55/37/57

Technical data  
Version 2019/08

S-accumulation rings

M 1:10

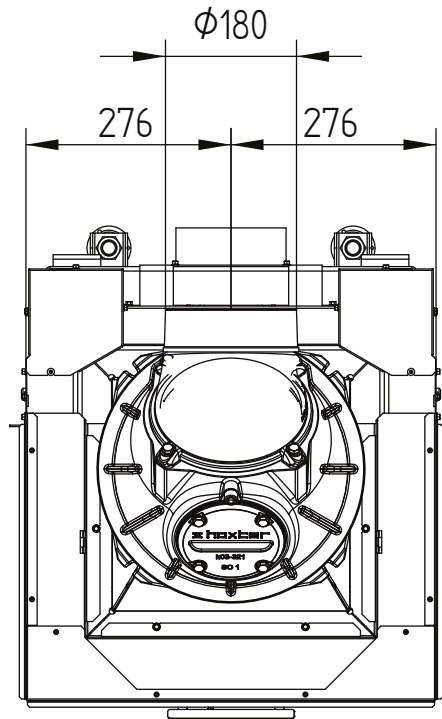


# UKA 37/55/37/57

Technical data  
Version 2019/08

S-accumulation rings

M 1:10

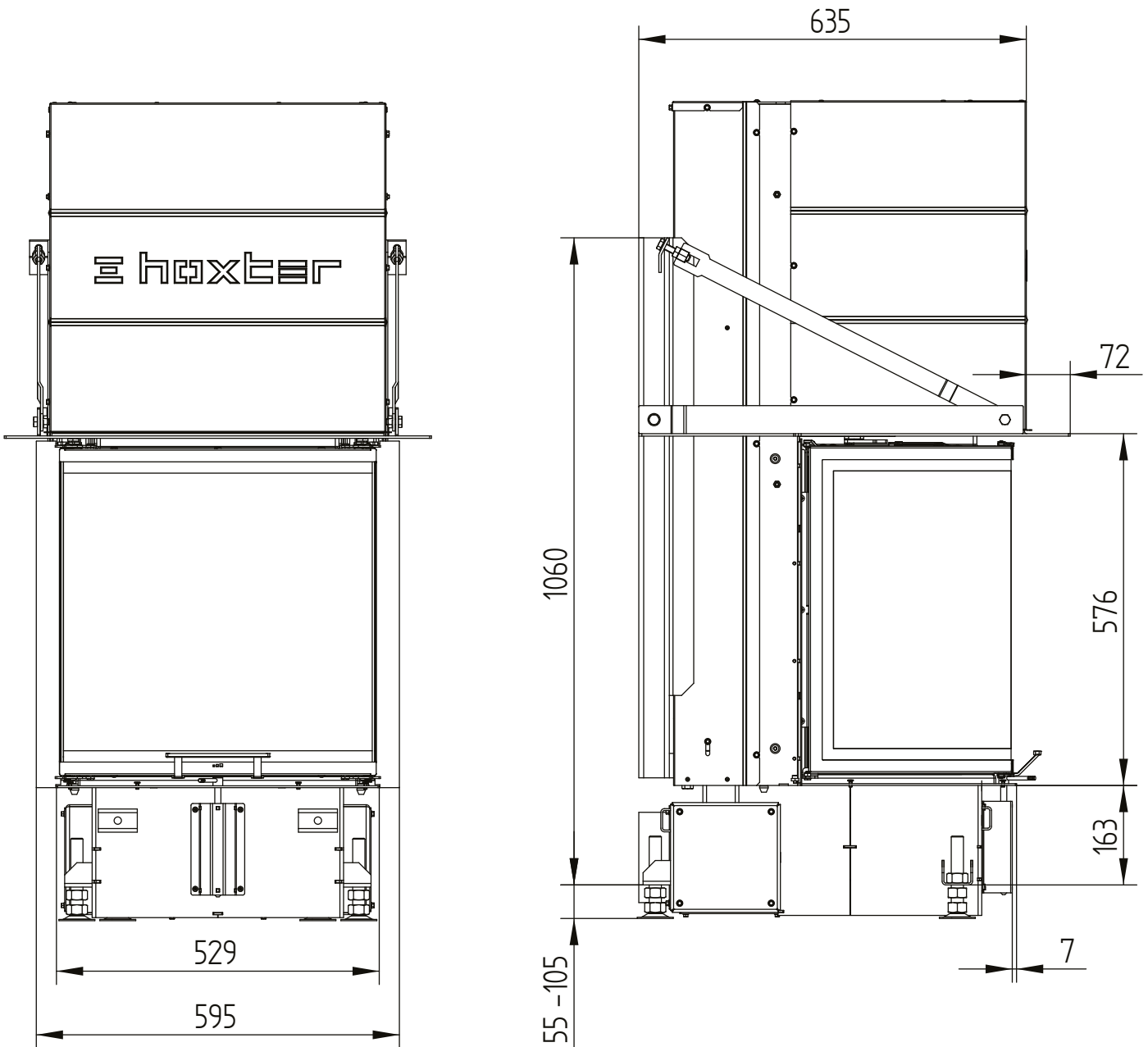


# UKA 37/55/37/57

Technical data  
Version 2019/08

supporting construction incl. build-on frame 3sides 70 mm

M 1:10

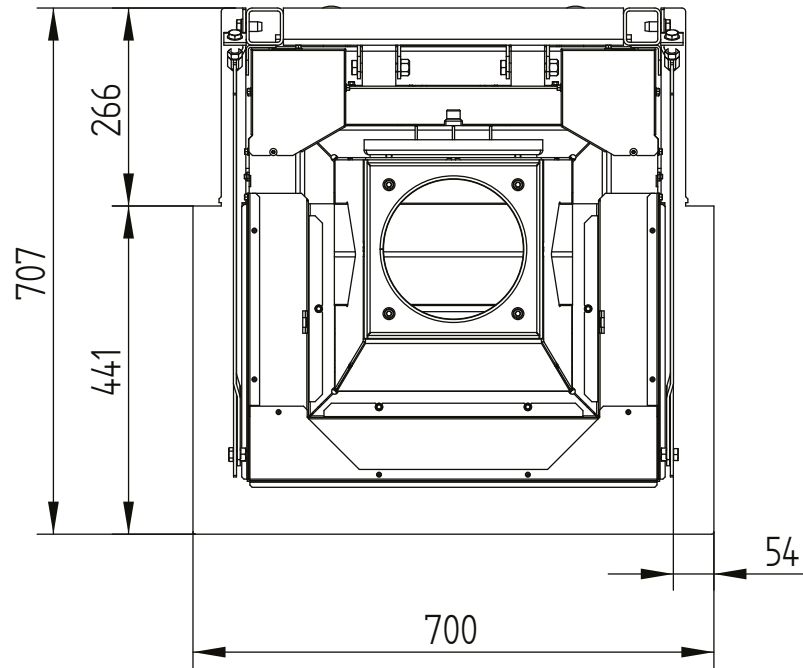


# UKA 37/55/37/57

Technical data  
Version 2019/08

supporting construction incl. build-on frame 3sides 70 mm

M 1:10

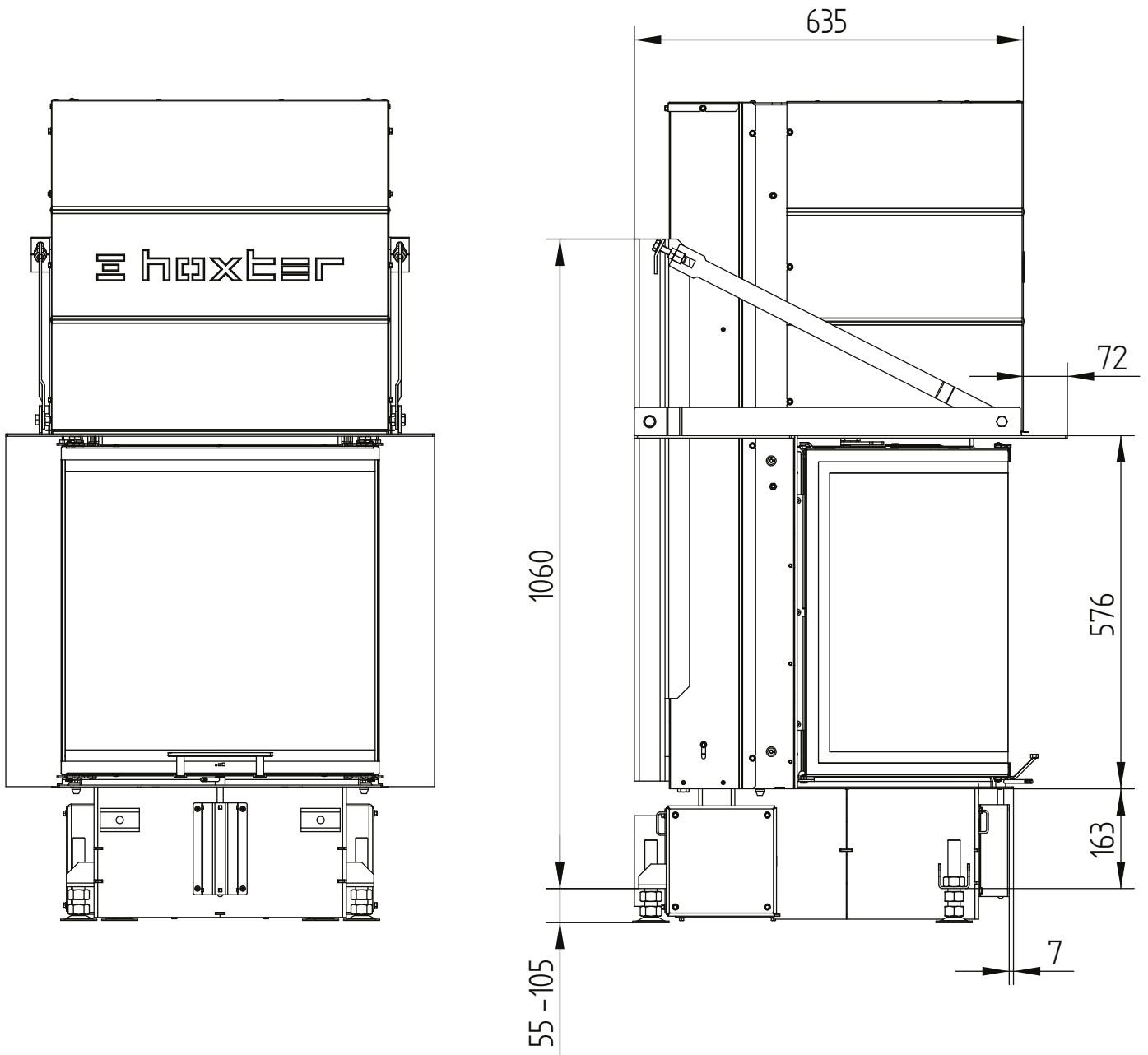


# UKA 37/55/37/57

Technical data  
Version 2019/08

supporting construction incl. build-on frame 5sides 70 mm

M 1:10



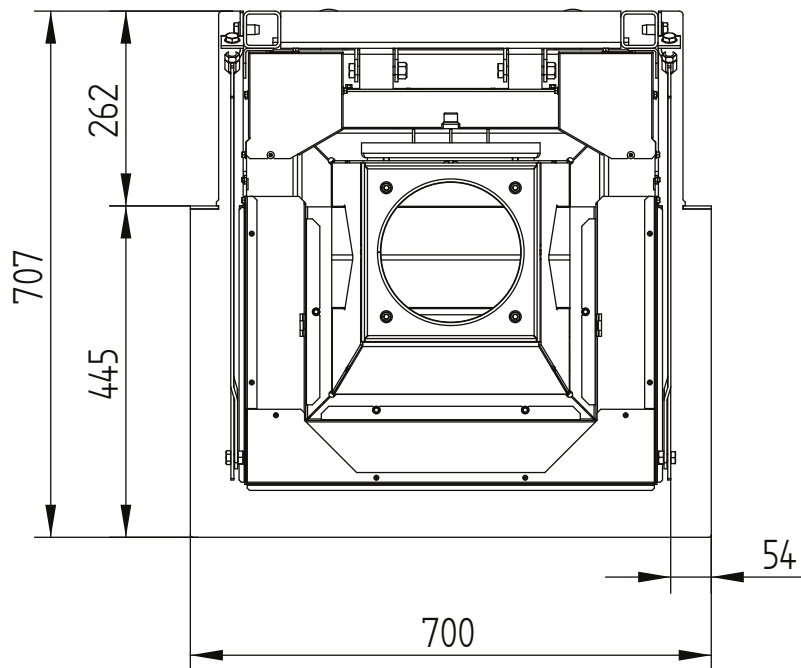


# UKA 37/55/37/57

Technical data  
Version 2019/08

supporting construction incl. build-on frame 5sides 70 mm

M 1:10

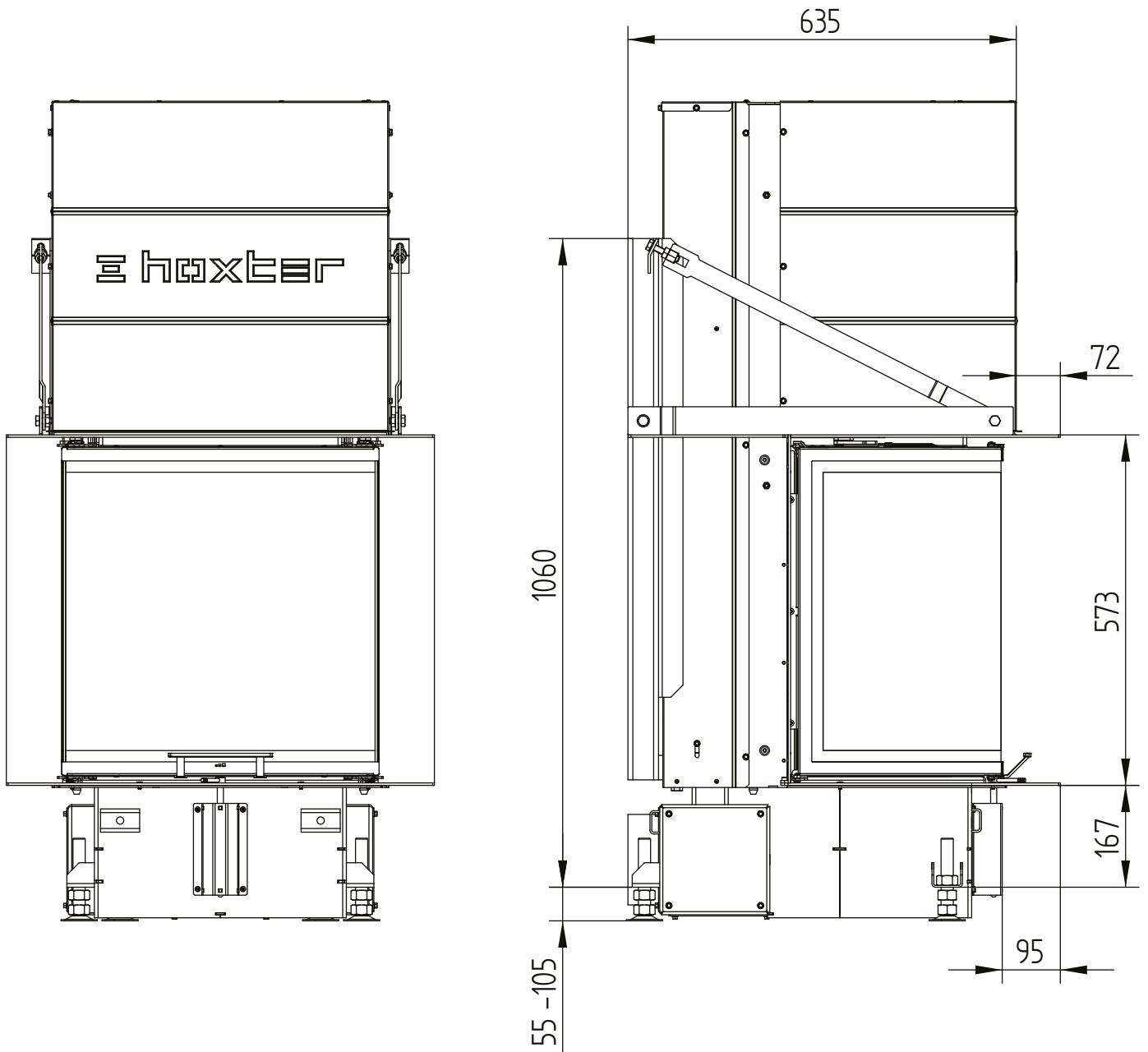


# UKA 37/55/37/57

Technical data  
Version 2019/08

supporting construction incl. build-on frame 8sides 70 mm

M 1:10



# UKA 37/55/37/57

Technical data  
Version 2019/08

supporting construction incl. build-on frame 8sides 70 mm

M 1:10

