

WHE 37/50 rear feeding

Technical data

Version 2020/08

	Operating through hot water exchanger		Operating through accumulation system	
	Certified values	Larger batch of wood	Operating values	
Energy label	A+			
Operating data				
Nominal heat power / Power absorbed to water	14,5 / 10,9 kW	25,5 / 14,3 kW	----	----
Efficiency	>85 %	>85 %	----	----
Consumption of wood	3,7 kg/h	6,8 kg/h	6 kg	15 kg
Total heat output of the burning chamber			24 kW	60 kW
Mass flow of flue gas	11,7 g/s	18,1 g/s	18 g/s	45 g/s
Required chimney pressure	15 Pa	15 Pa	15 Pa	15 Pa
Required amount of combustion air	40 m ³ /h	60 m ³ /h	60 m ³ /h	100 m ³ /h
Average flue gas temperature				
on the output (behind water exchanger)	168 °C	197 °C	----	----
on the output (in front of accumulation mass)	----	----	378 °C	616 °C
past 3,5 of ceramic accumulation system KMS 300	----	----	185 °C	
past 5,5 of ceramic accumulation system KMS 300	----	----	----	178 °C
Heat distribution				
fireplace insert	10%	21%	10%	15%
door glass (double)	14%	14%	14%	14%
water	76%	65%	15%	18%
additional accumulation mass	----	----	61%	53%
Water exchanger specifications				
Maximum working pressure			2,5 bar	
Minimum return water temperature			55 °C	
Water capacity			80 litrů	
Minimal pump output			15 l/min	
Connection input / output			1 / 1 "	
Information for builds				
Minimal grill area supply / outgoing (with vent. grill)			600 / 700 cm ²	
Minimum radiant area ³ (without vent. grill)			4 m ²	
Minimum distance from insulated areas / floor			40 / 20 mm	
Reference insulation ¹ ceiling / back wall / side wall / floor			120 / 100 / 80 / 30 mm	
Calciumsilicate insulation ² ceiling / back wall / side wall / floor			90 / 75 / 60 / 30 mm	
General technical information				
Total weight / lining weight			ca. 400 / 120 kg	
Burning chamber dimensions (width x depth)			305 x 525 mm	
Combustion air connection			Ø 150 mm	
Use in non-ventilated accumulation builds according to craft rules			suitable	
Tested according to			EN 13229	
Meets values			1. BlmSchV (Stufe2), 15a BVG	

1 Mineral wool according to AGI-Q 132

2 Example SkamoEnclosure Board 225 kg/m³

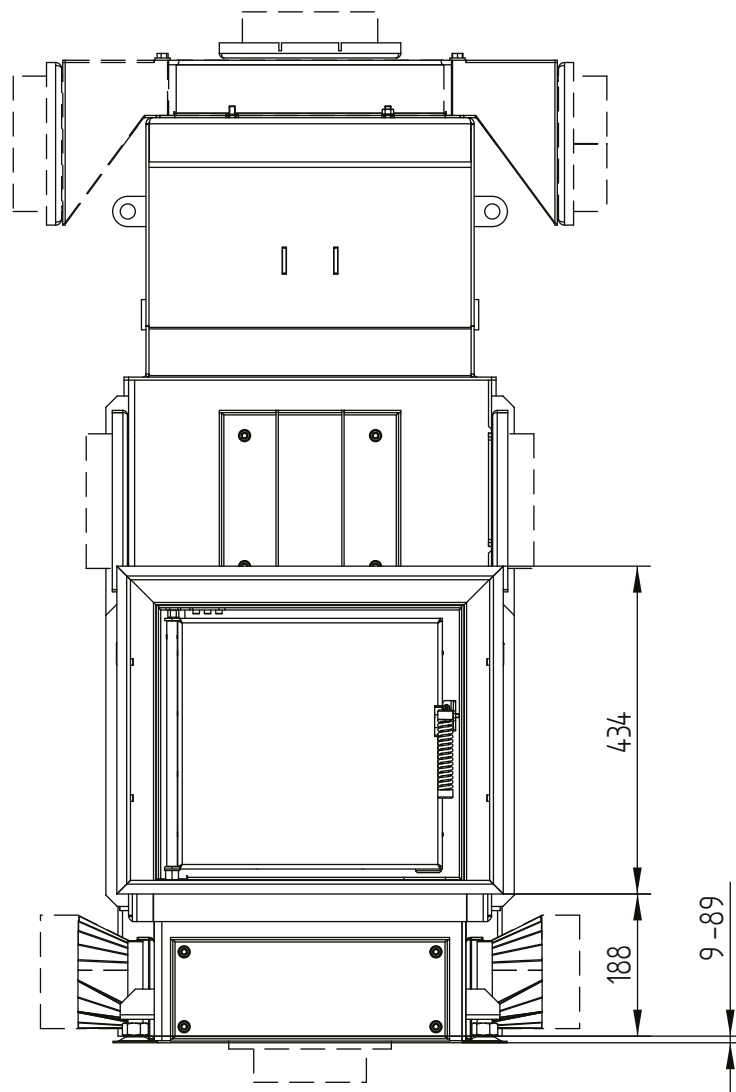
3 Depends on accumulation period and material characteristics.

Listed values calculated with chamotte stone thickness 30 mm with radiant area 500 W/m²

WHE 37/50 rear feeding

Technical data
Version 2020/08

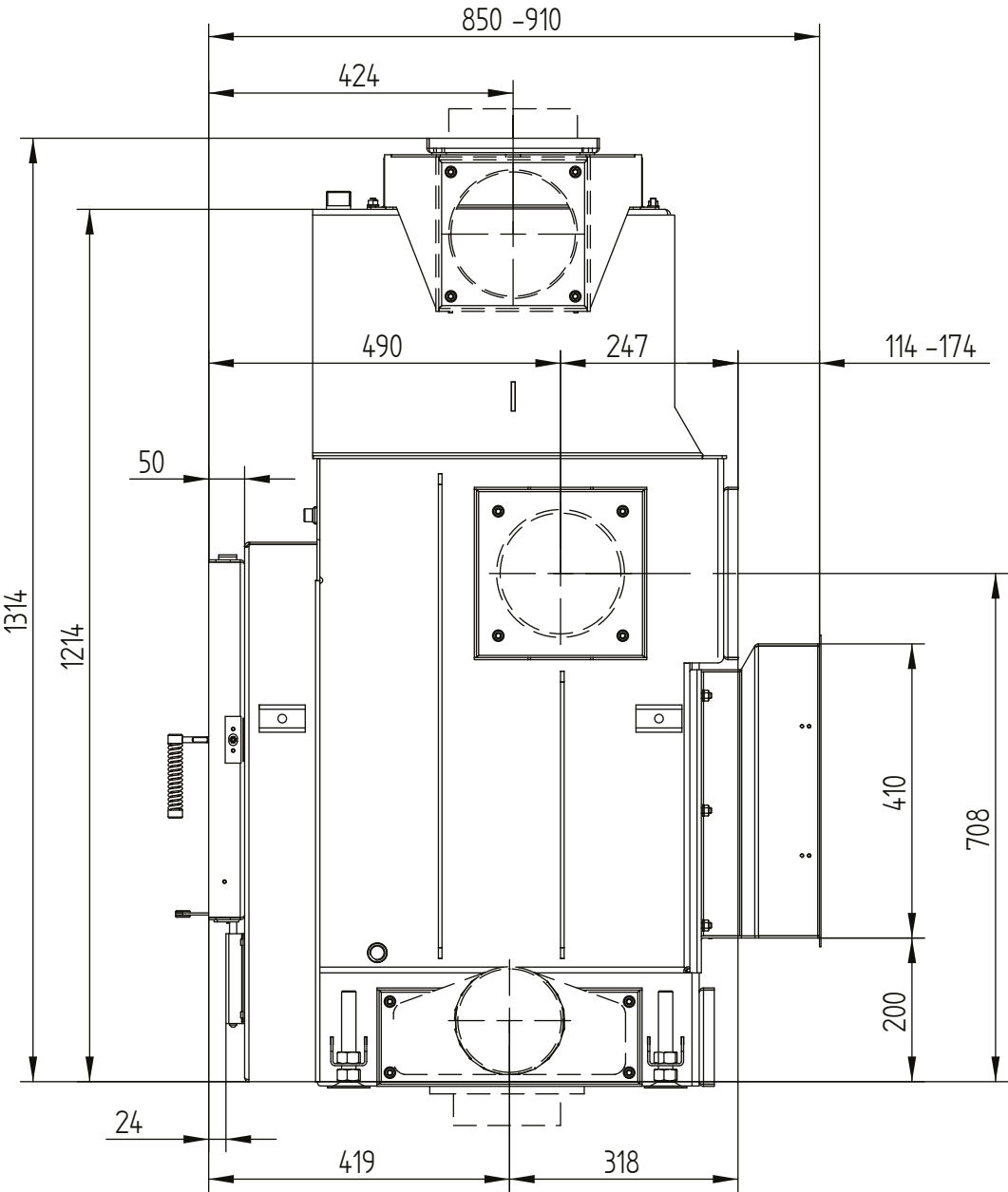
WHE 37/50a rear feeding air inlet / feet



WHE 37/50 rear feeding

Technical data
Version 2020/08

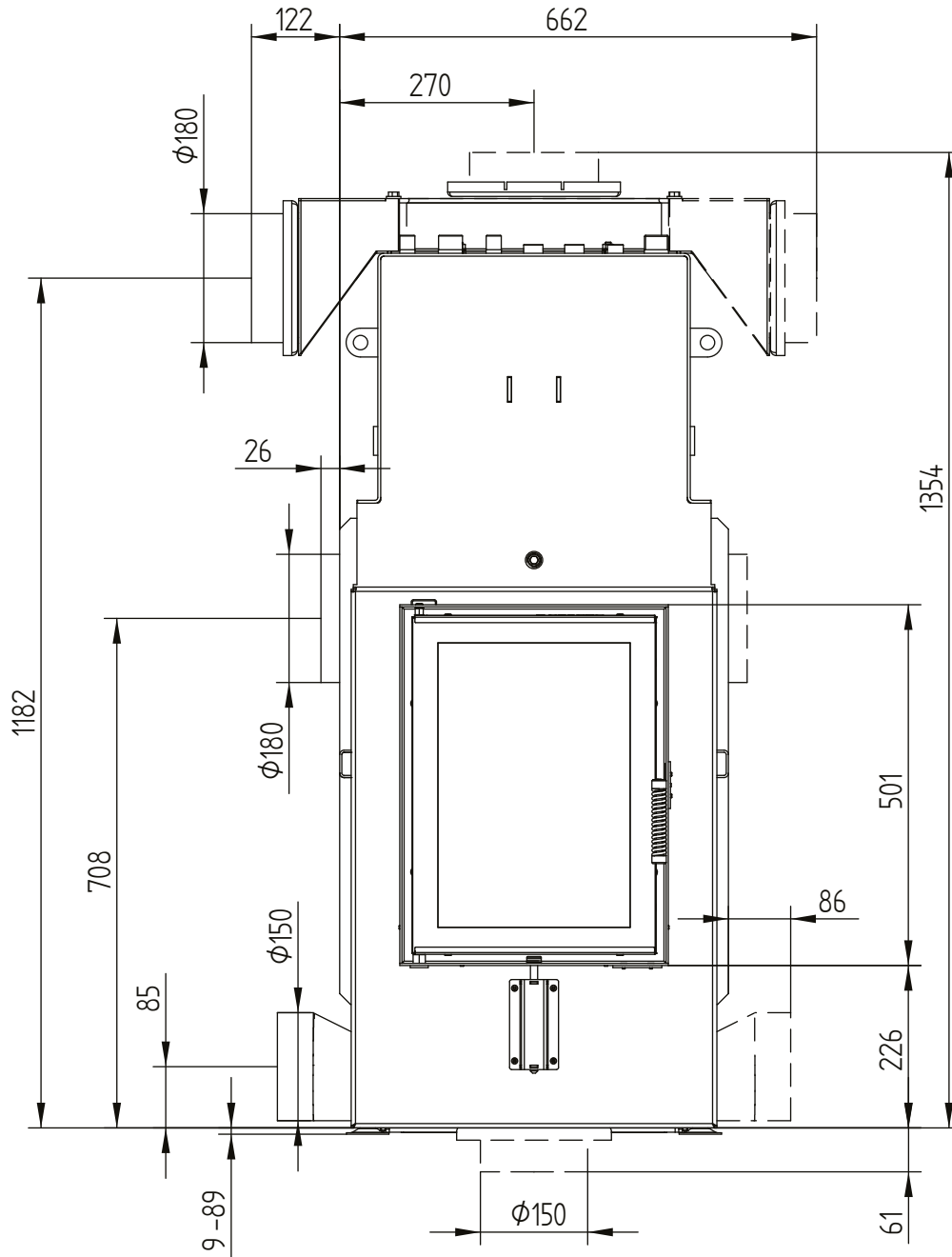
WHE 37/50a rear feeding air inlet / feet



WHE 37/50 rear feeding

Technical data
Version 2020/08

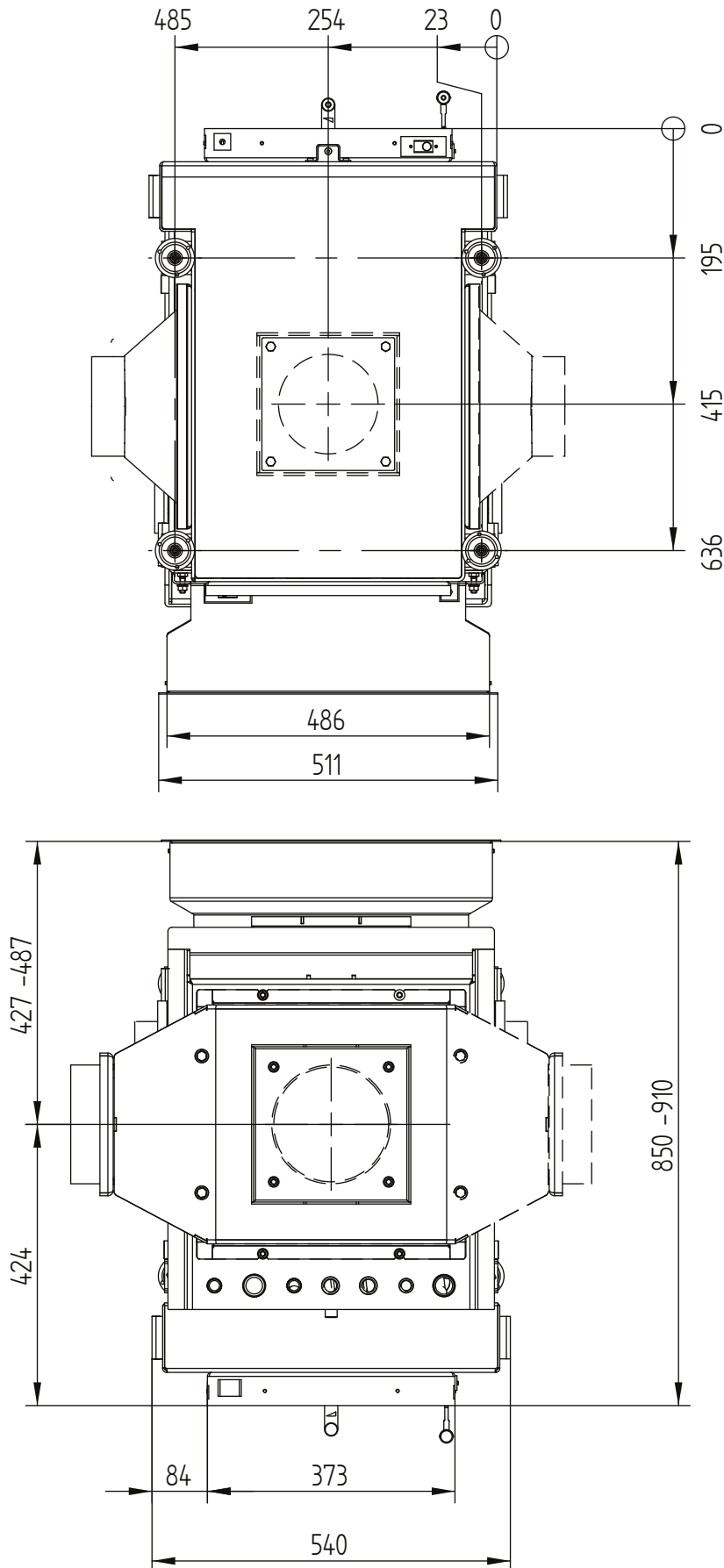
WHE 37/50a rear feeding air inlet / feet



WHE 37/50 rear feeding

Technical data
Version 2020/08

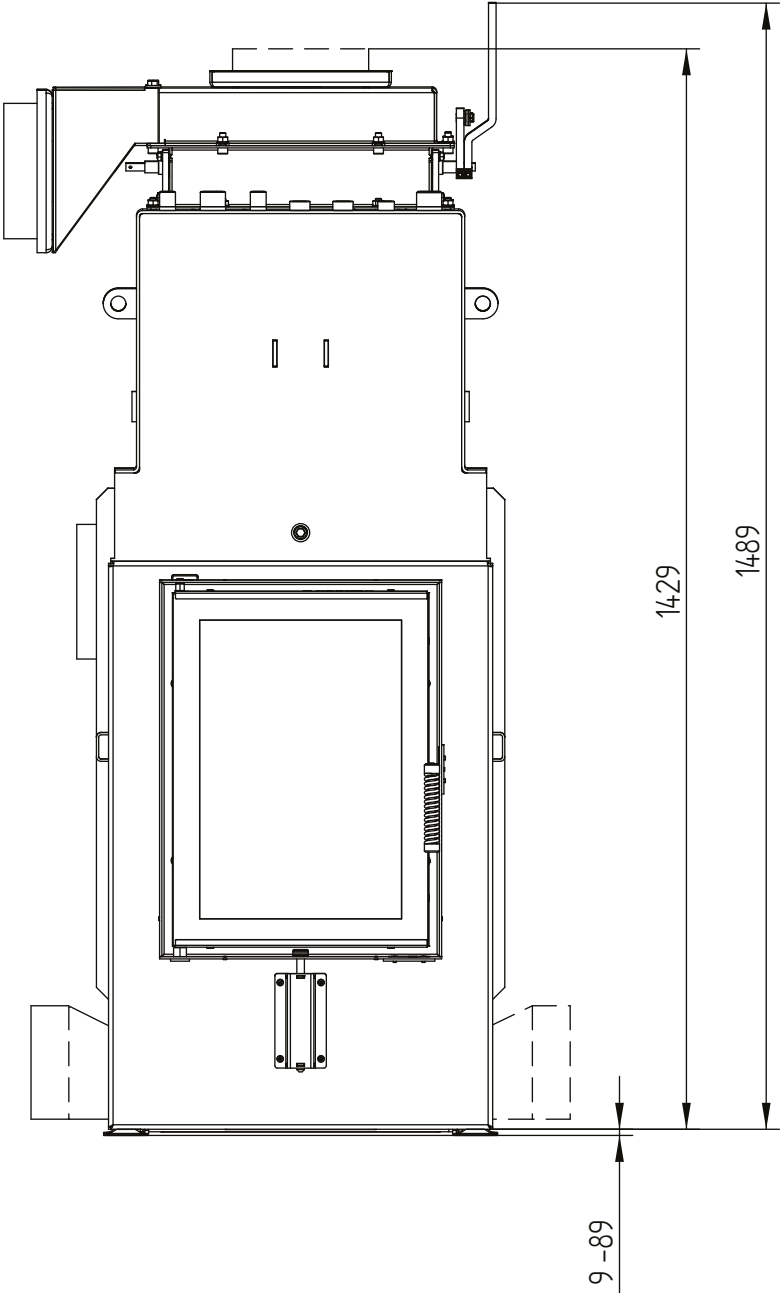
WHE 37/50a rear feeding air inlet / feet



WHE 37/50 rear feeding

Technical data
Version 2020/08

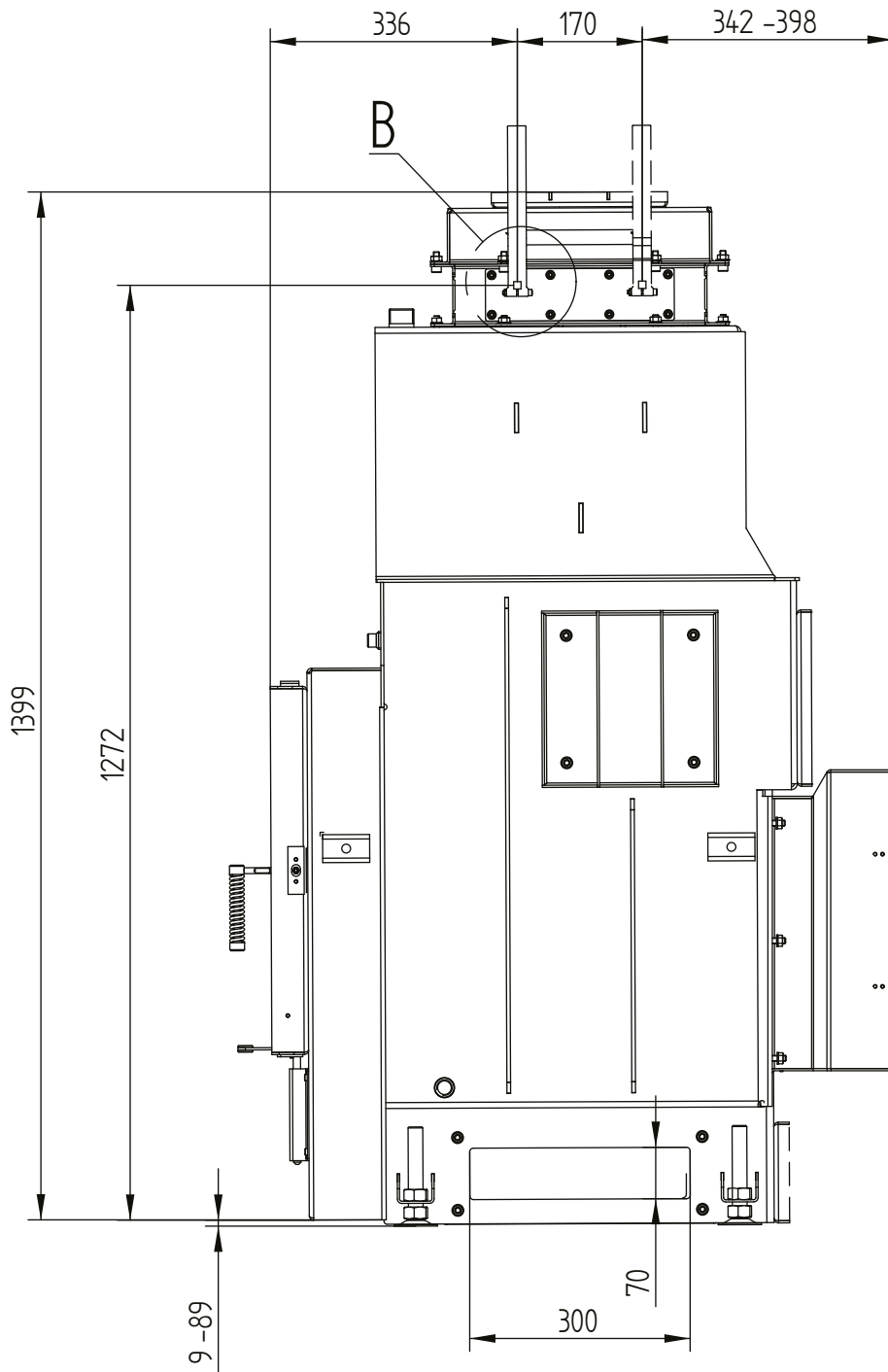
WHE 37/50a rear feeding WTR water exchanger cleaner



WHE 37/50 rear feeding

Technical data
Version 2020/08

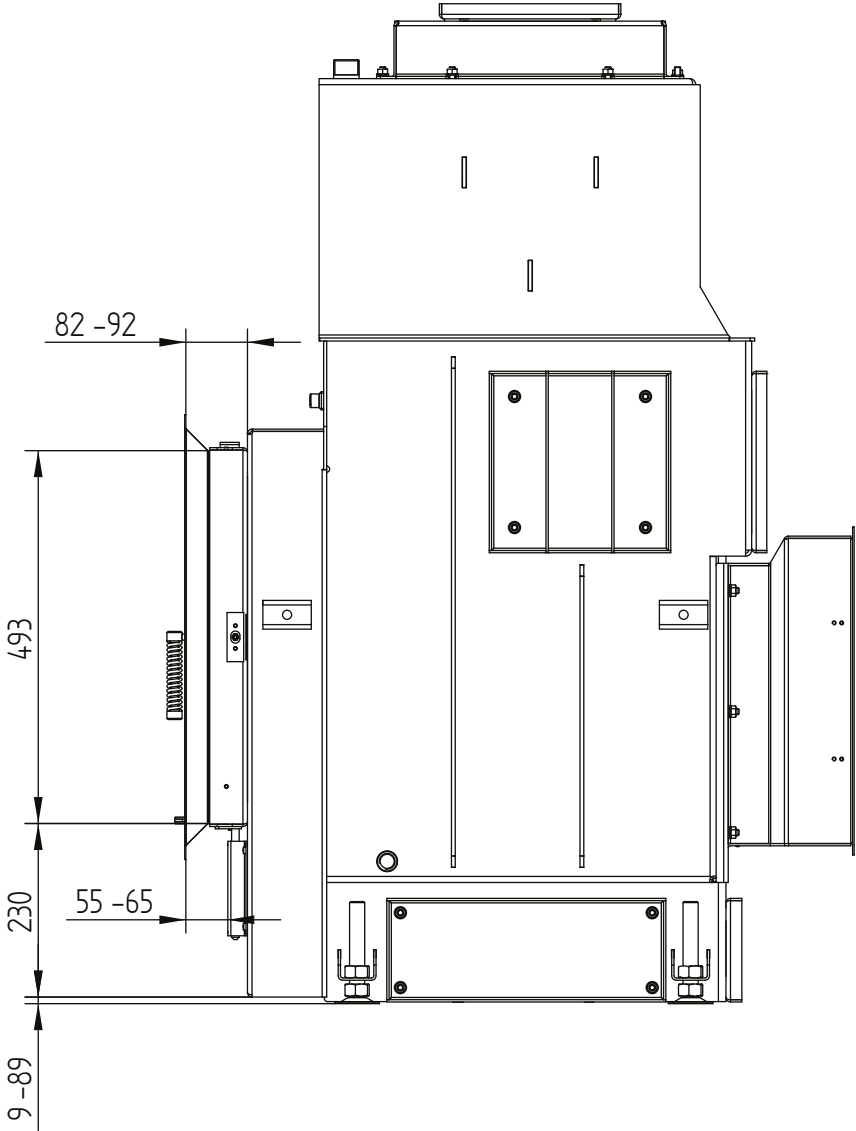
WHE 37/50a rear feeding WTR water exchanger cleaner



WHE 37/50 rear feeding

Technical data
Version 2020/08

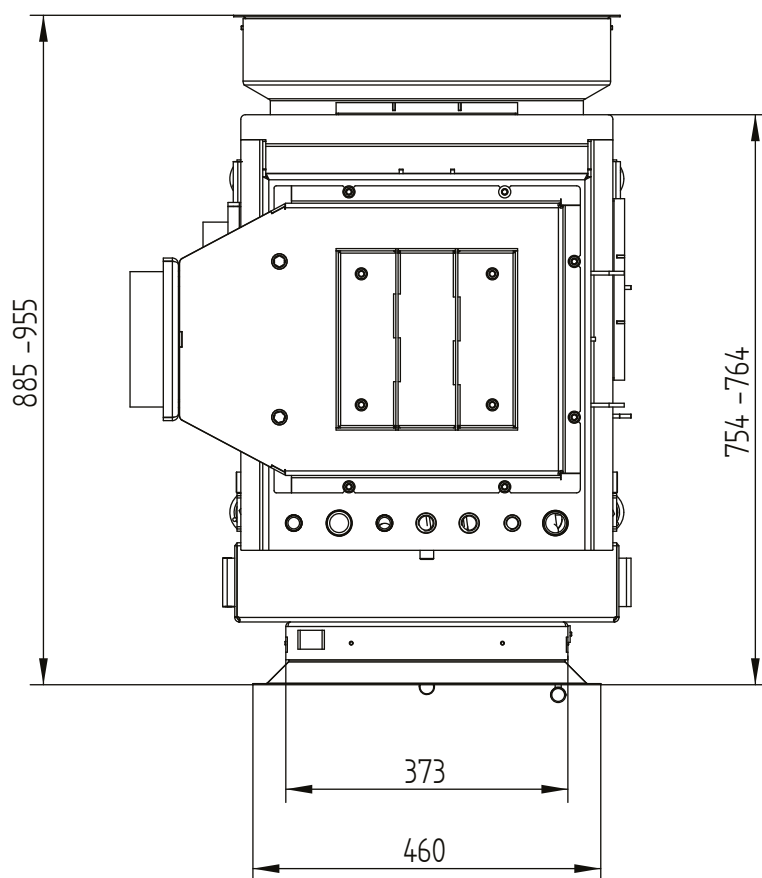
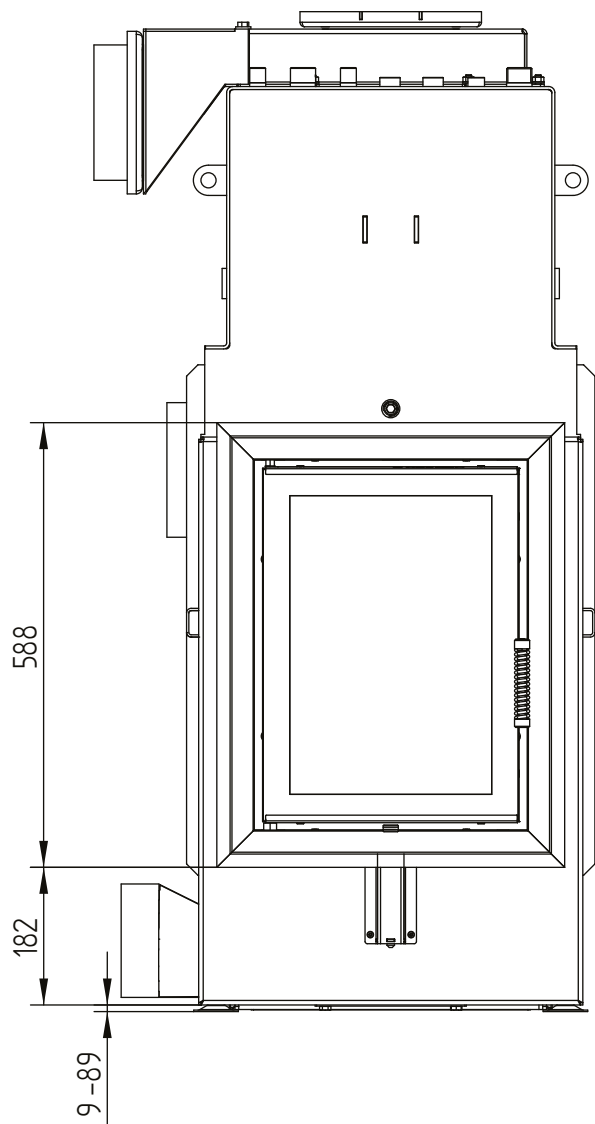
WHE 37/50a rear feeding cover frame 4sides 50 mm 1 x 90°



WHE 37/50 rear feeding

Technical data
Version 2020/08

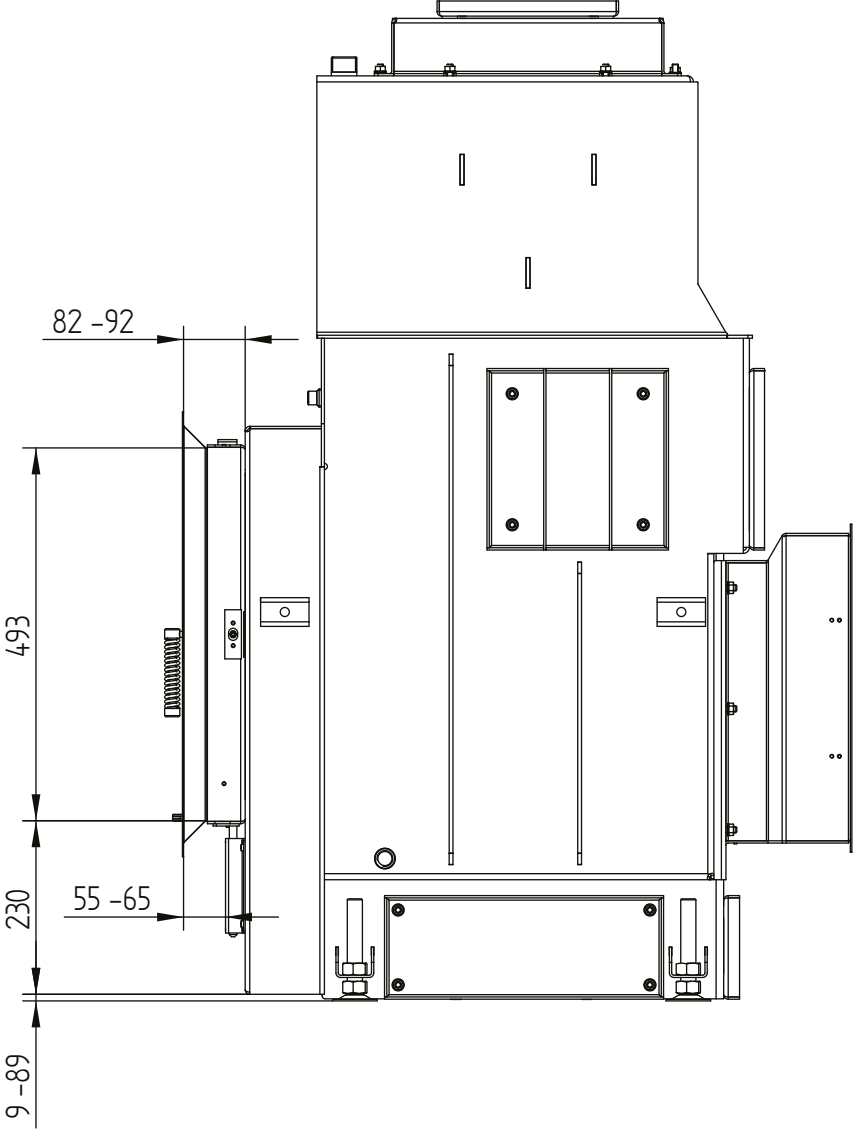
WHE 37/50a rear feeding cover frame 4sides 50 mm 1 x 90°



WHE 37/50 rear feeding

Technical data
Version 2020/08

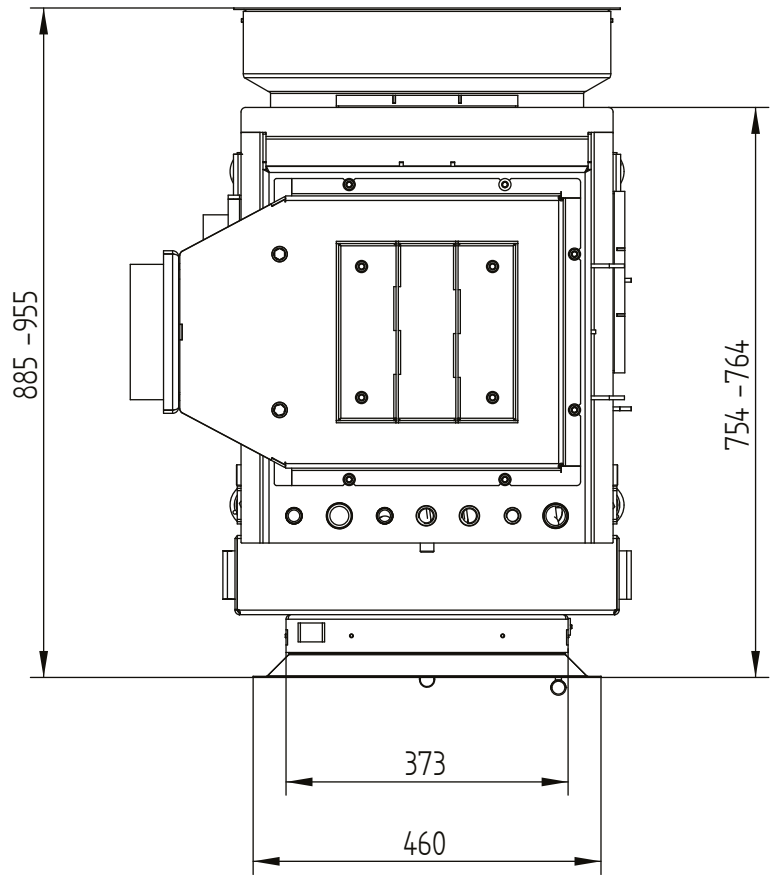
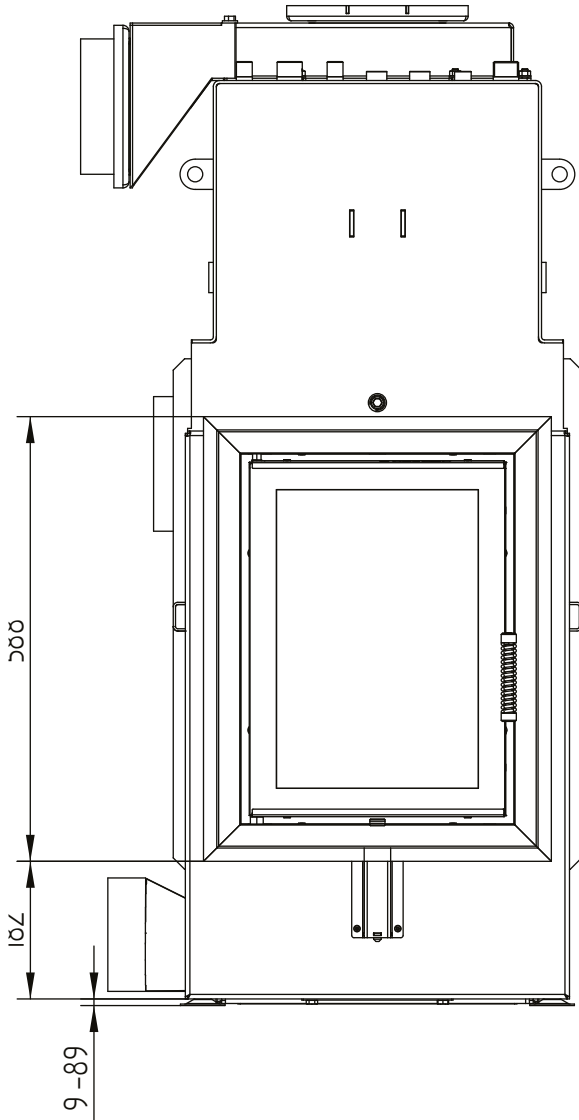
WHE 37/50a rear feeding cover frame 4sides 80 mm 2 x 45°



WHE 37/50 rear feeding

Technical data
Version 2020/08

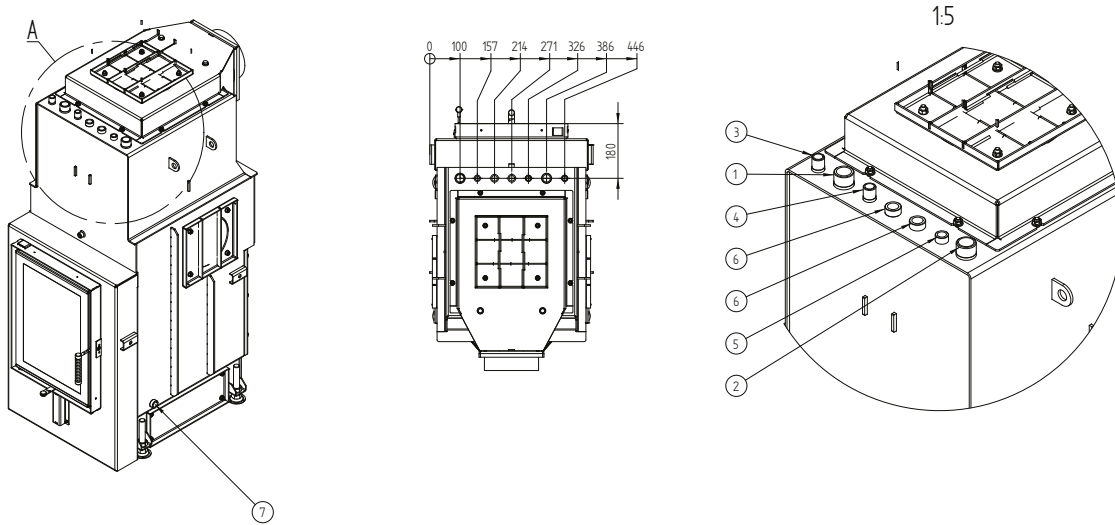
WHE 37/50a rear feeding cover frame 4sides 80 mm 2 x 45°



WHE 37/50 rear feeding

Technical data
Version 2020/08

WHE 37/50a rear feeding | WHE 37/50a rear feeding WTR water exchanger cleaner



Nr.	Thread size	Description
1	G 1" (AG)	Water supply from heating system - min. 55°C
2	G 1" (AG)	Hot water supply to heating system
3	G 1/2" (AG)	Water supply from the waterlines into the cooling loop (TAS)
4	G 1/2" (AG)	Discharge of water from the cooling loop into the waste (TAS)
5	G 3/8" (IG)	Pocket for air vent valve
6	G 1/2" (IG)	Pocket for thermal sensors
7	G 1/2" (IG)	Discharge valve